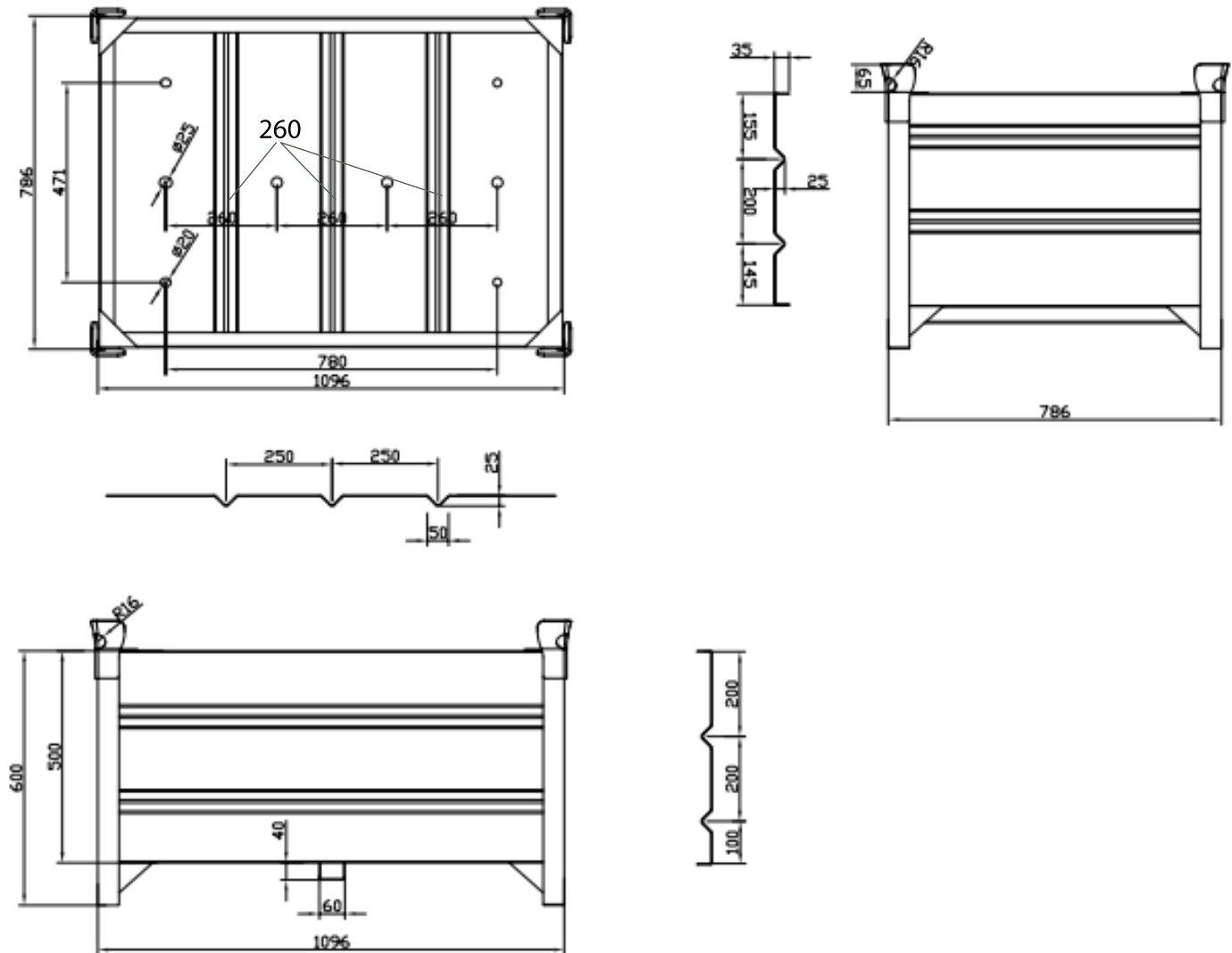




Lashing material

Bin-02 1096x786x500mm



- Weight : 61 kg
- Material : Q235B
- Finish : hot dip galvanized

(Important note: Measures and weights without engagement. We reserve the right to change technical details.)