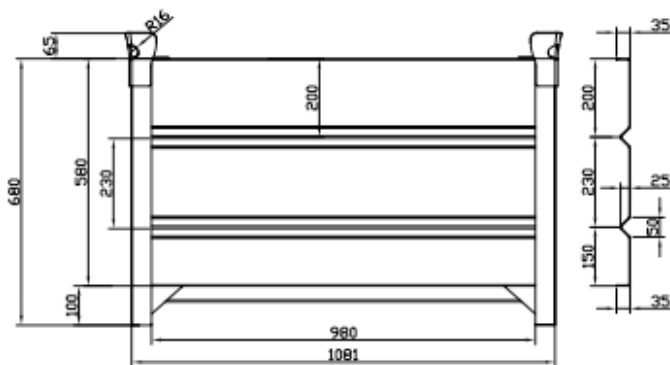
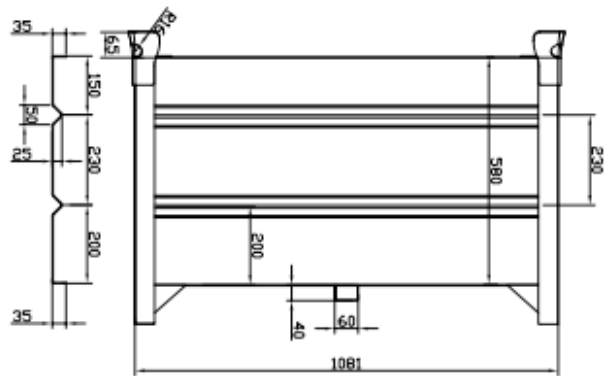
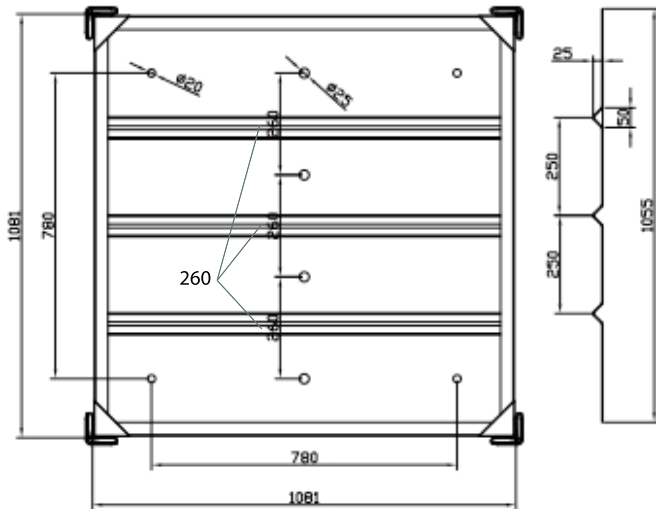




Lashing material

Bin-01-B 1080 x 1080 x 580mm



- Weight : 80 kg
- Material : Q235B
- Finish : hot dip galvanized

(Important note: Measures and weights without engagement. We reserve the right to change technical details.)