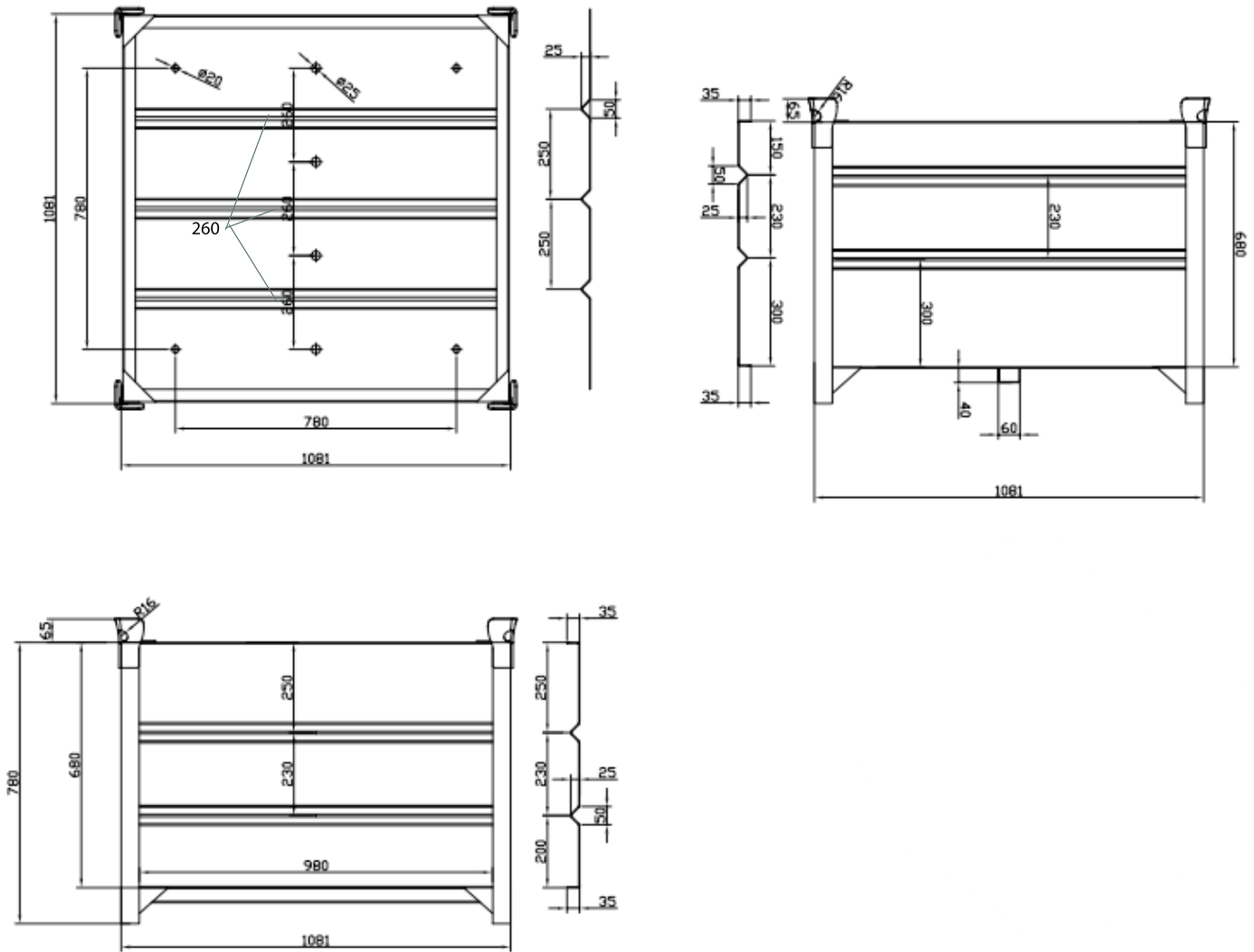




Lashing material

Bin-01-A 1080x1080x680mm



- Weight : 92 kg
- Material : Q235B
- Finish : hot dip galvanized

(Important note: Measures and weights without engagement. We reserve the right to change technical details.)